

WONG FONG WORKMAN BASKET

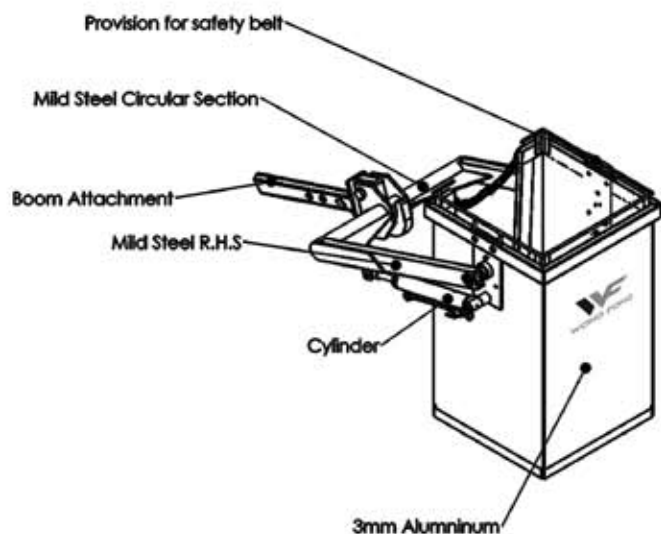


The Wong Fong Workman Basket is an aerial basket used as personnel carrier. When attached to a truck-mounted crane, it allows workman to perform specific tasks at elevated height.

Besides encompassing the latest technology and 3D modelling software in designing and constructing, all stressed areas are also analysed using finite element analysis software. Structural steel profiles are being used in the main frame carrier and the critical stress areas reinforced for a more durable and reliable Workman Basket.

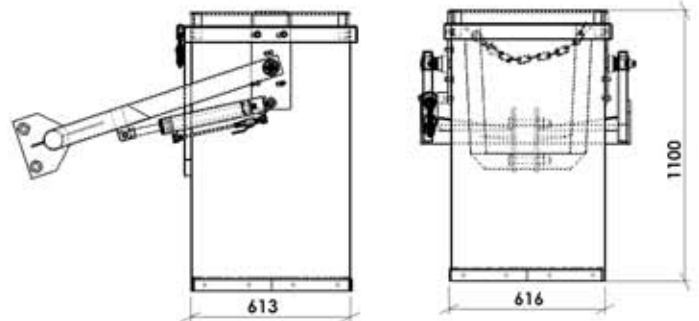
FEATURES

- Lightweight
- Manual adjustment
- Strong and Durable
- Hydraulic damping system
- Securing points for safety harness



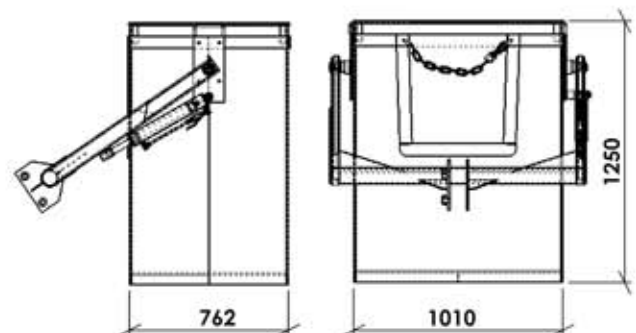
SINGLE-MAN BASKET

Model	WF PB120 (A/S)
Dimensions (mm)	616 x 618 x 1100
Max Load (kg)	120
Dry Weight (kg) - Aluminium	110
- Mild Steel	150



TWO-MAN BASKET

Model	WF PB240 (A/S)
Dimensions (mm)	616 x 762 x 1250
Max Load (kg)	240
Dry Weight (kg) - Aluminium	150
- Mild Steel	220



A - Aluminium body
S - Steel body

*Specifications subjected to changes without prior notice